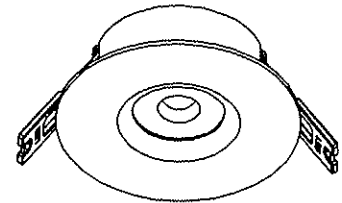


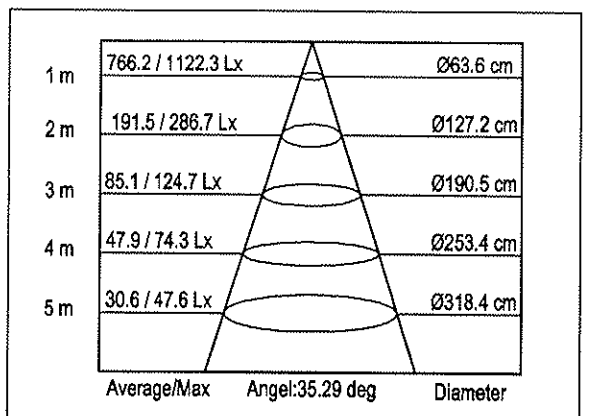
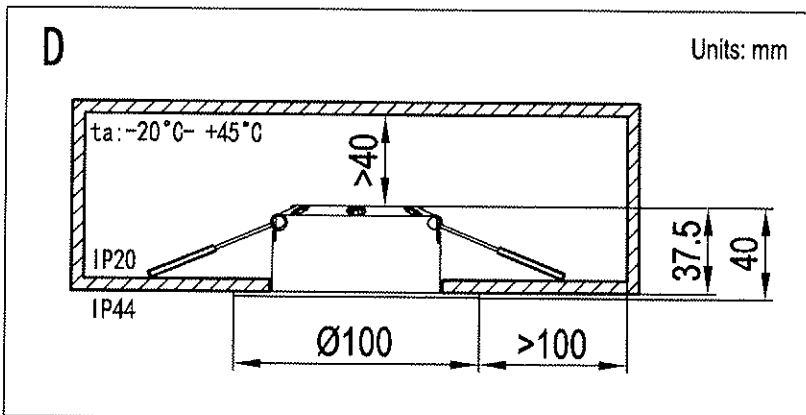
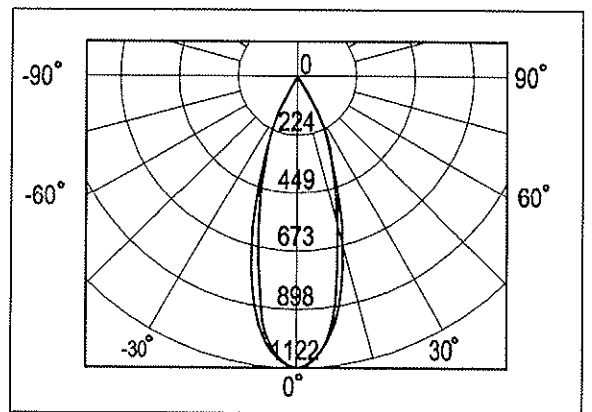
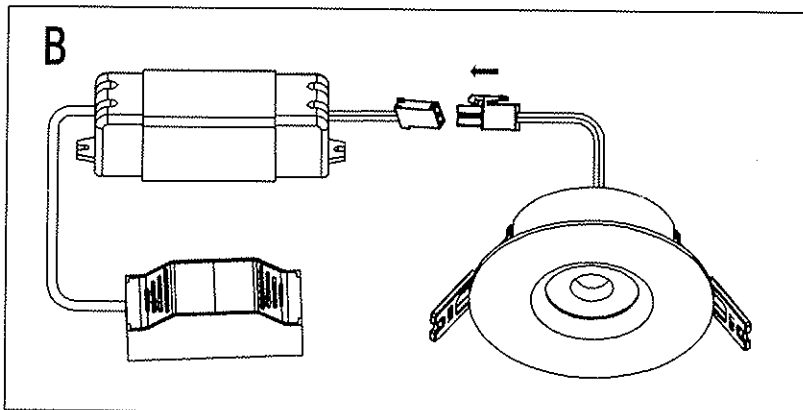
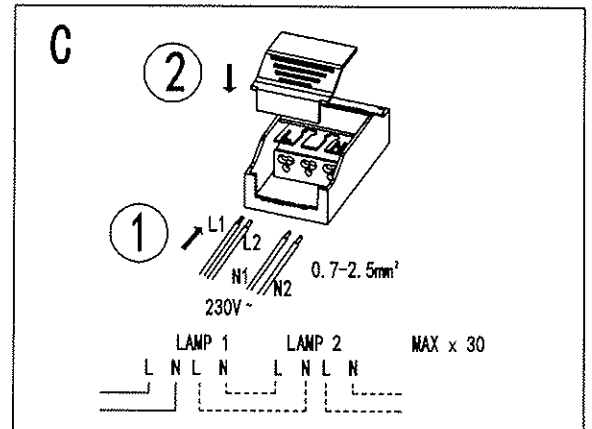
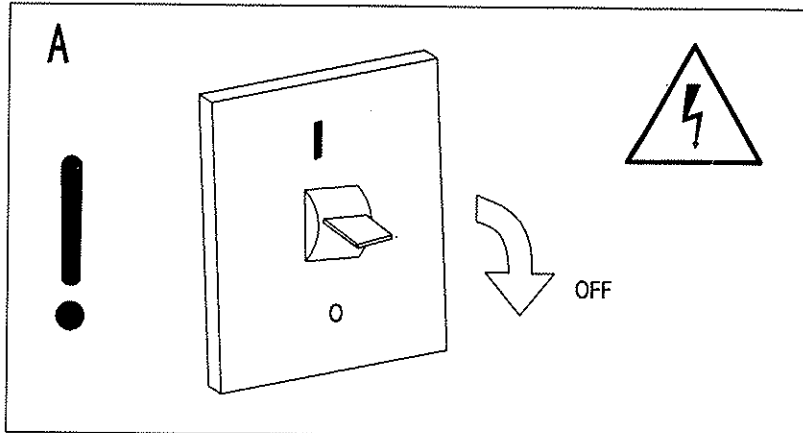


# PRO



106733 CASTOR

[www.markslojdpro.com](http://www.markslojdpro.com)



**ENERG** Y IJA IE IA  
енергия . ενεργεια

A+ A+ A B C D E

8 kWh / 1000 h

Energy grade	A <sup>+</sup>
Wattage	6 W
On/Off [x]	50000 x
Lifetime (h)	50000 h
Dimmable	Yes
Warm up to 60% light	≤0.3 S
T(Kelvin)	2800K
Lumen [ Lm ]	450 Lm
Beam Angel [°]	36°
CRI (Ra)	>80

IP20 IP44

Dimmer compatible

2800K WARM WHITE (Ø70-80) mm

450 Lm Ra > 80

CE

INTEGRATED DRIVER 230V~

36°

